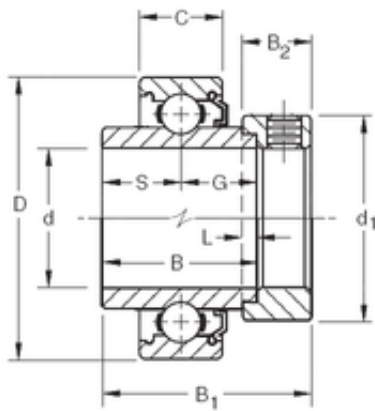




Machinery Parts BEARING CORP. OF CANAD...



36,5125 mm x 72 mm x 37,7 mm TIMKEN 1107KL Insert Bearings Cylindrical OD

Bearing No. 1107KL

Size	36.5125x72x37.7 mm
Bore Diameter	36,5125 mm
Outer Diameter	72 mm
Width	37,7 mm
d	36,5125 mm
D	72 mm
B	37,7 mm
C	17(2) mm
d1	54 mm
B1	51,2 mm
B2	17,46 mm
G	18,85 mm
L	3,97 mm
S	18,85 mm
Weight	0,544 Kg
Basic dynamic load rating (C)	28,5 kN

1107KL Bearing 2D drawings and 3D CAD models